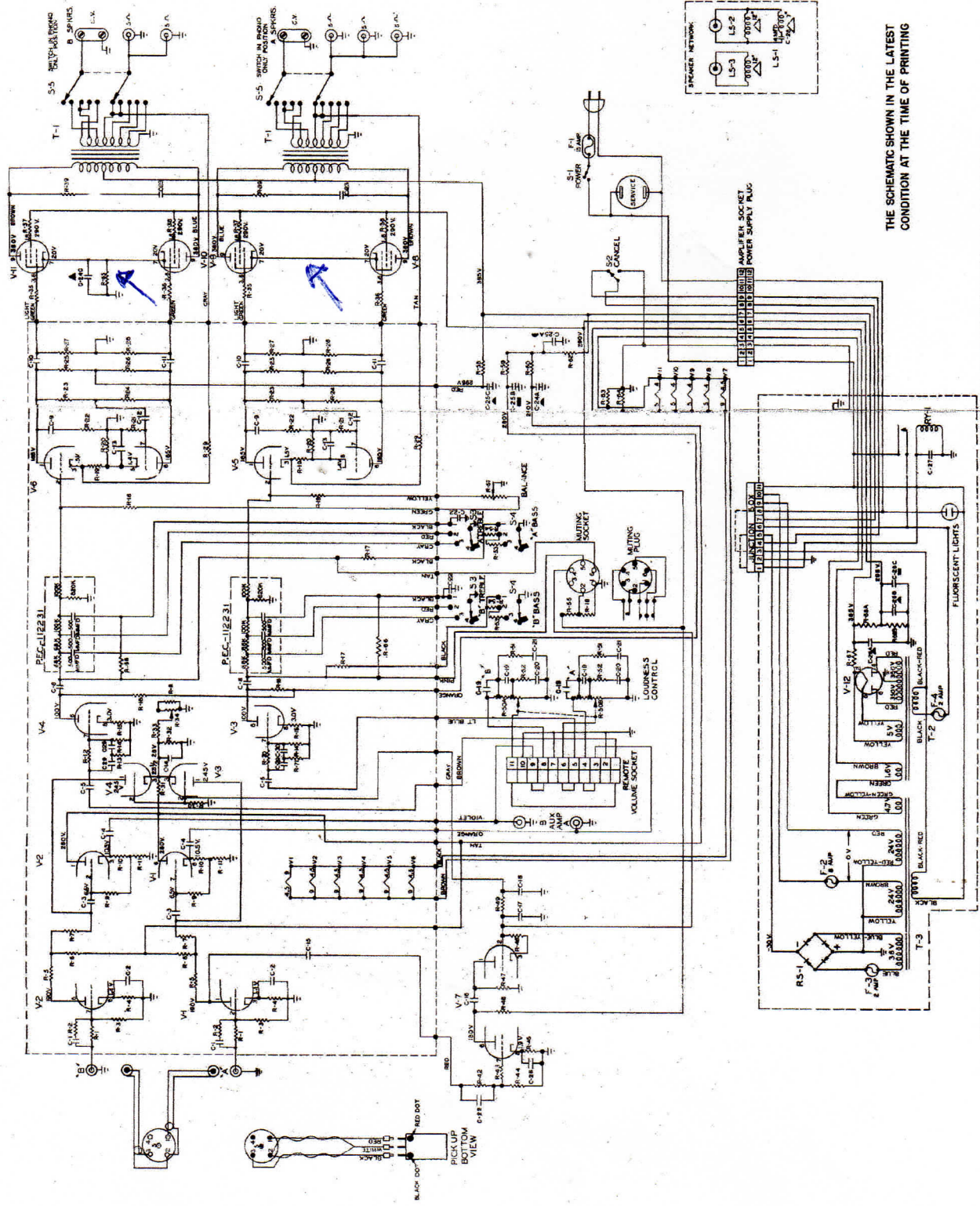


# SCHEMATIC DIAGRAM MODEL 534 AMPLIFIER - STEREO



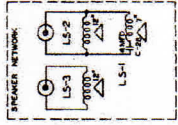
ITEM	PART NO.	VALUE	REMARKS
R-1	224K	224K	5% 1/2W
R-2	100K	100K	5% 1/2W
R-3	100K	100K	5% 1/2W
R-4	100K	100K	5% 1/2W
R-5	100K	100K	5% 1/2W
R-6	100K	100K	5% 1/2W
R-7	100K	100K	5% 1/2W
R-8	100K	100K	5% 1/2W
R-9	100K	100K	5% 1/2W
R-10	100K	100K	5% 1/2W
R-11	100K	100K	5% 1/2W
R-12	100K	100K	5% 1/2W
R-13	100K	100K	5% 1/2W
R-14	100K	100K	5% 1/2W
R-15	100K	100K	5% 1/2W
R-16	100K	100K	5% 1/2W
R-17	100K	100K	5% 1/2W
R-18	100K	100K	5% 1/2W
R-19	100K	100K	5% 1/2W
R-20	100K	100K	5% 1/2W
R-21	100K	100K	5% 1/2W
R-22	100K	100K	5% 1/2W
R-23	100K	100K	5% 1/2W
R-24	100K	100K	5% 1/2W
R-25	100K	100K	5% 1/2W
R-26	100K	100K	5% 1/2W
R-27	100K	100K	5% 1/2W
R-28	100K	100K	5% 1/2W
R-29	100K	100K	5% 1/2W
R-30	100K	100K	5% 1/2W
R-31	100K	100K	5% 1/2W
R-32	100K	100K	5% 1/2W
R-33	100K	100K	5% 1/2W
R-34	100K	100K	5% 1/2W
R-35	100K	100K	5% 1/2W
R-36	100K	100K	5% 1/2W
R-37	100K	100K	5% 1/2W
R-38	100K	100K	5% 1/2W
R-39	100K	100K	5% 1/2W
R-40	100K	100K	5% 1/2W
R-41	100K	100K	5% 1/2W
R-42	100K	100K	5% 1/2W
R-43	100K	100K	5% 1/2W
R-44	100K	100K	5% 1/2W
R-45	100K	100K	5% 1/2W
R-46	100K	100K	5% 1/2W
R-47	100K	100K	5% 1/2W
R-48	100K	100K	5% 1/2W
R-49	100K	100K	5% 1/2W
R-50	100K	100K	5% 1/2W
R-51	100K	100K	5% 1/2W
R-52	100K	100K	5% 1/2W
R-53	100K	100K	5% 1/2W
R-54	100K	100K	5% 1/2W
R-55	100K	100K	5% 1/2W
R-56	100K	100K	5% 1/2W
R-57	100K	100K	5% 1/2W
R-58	100K	100K	5% 1/2W
R-59	100K	100K	5% 1/2W
R-60	100K	100K	5% 1/2W
R-61	100K	100K	5% 1/2W
R-62	100K	100K	5% 1/2W
R-63	100K	100K	5% 1/2W
R-64	100K	100K	5% 1/2W
R-65	100K	100K	5% 1/2W
R-66	100K	100K	5% 1/2W
R-67	100K	100K	5% 1/2W
R-68	100K	100K	5% 1/2W
R-69	100K	100K	5% 1/2W
R-70	100K	100K	5% 1/2W
R-71	100K	100K	5% 1/2W
R-72	100K	100K	5% 1/2W
R-73	100K	100K	5% 1/2W
R-74	100K	100K	5% 1/2W
R-75	100K	100K	5% 1/2W
R-76	100K	100K	5% 1/2W
R-77	100K	100K	5% 1/2W
R-78	100K	100K	5% 1/2W
R-79	100K	100K	5% 1/2W
R-80	100K	100K	5% 1/2W
R-81	100K	100K	5% 1/2W
R-82	100K	100K	5% 1/2W
R-83	100K	100K	5% 1/2W
R-84	100K	100K	5% 1/2W
R-85	100K	100K	5% 1/2W
R-86	100K	100K	5% 1/2W
R-87	100K	100K	5% 1/2W
R-88	100K	100K	5% 1/2W
R-89	100K	100K	5% 1/2W
R-90	100K	100K	5% 1/2W
R-91	100K	100K	5% 1/2W
R-92	100K	100K	5% 1/2W
R-93	100K	100K	5% 1/2W
R-94	100K	100K	5% 1/2W
R-95	100K	100K	5% 1/2W
R-96	100K	100K	5% 1/2W
R-97	100K	100K	5% 1/2W
R-98	100K	100K	5% 1/2W
R-99	100K	100K	5% 1/2W
R-100	100K	100K	5% 1/2W

ITEM	PART NO.	VALUE	REMARKS
C-1	100K	100K	5% 1/2W
C-2	100K	100K	5% 1/2W
C-3	100K	100K	5% 1/2W
C-4	100K	100K	5% 1/2W
C-5	100K	100K	5% 1/2W
C-6	100K	100K	5% 1/2W
C-7	100K	100K	5% 1/2W
C-8	100K	100K	5% 1/2W
C-9	100K	100K	5% 1/2W
C-10	100K	100K	5% 1/2W
C-11	100K	100K	5% 1/2W
C-12	100K	100K	5% 1/2W
C-13	100K	100K	5% 1/2W
C-14	100K	100K	5% 1/2W
C-15	100K	100K	5% 1/2W
C-16	100K	100K	5% 1/2W
C-17	100K	100K	5% 1/2W
C-18	100K	100K	5% 1/2W
C-19	100K	100K	5% 1/2W
C-20	100K	100K	5% 1/2W
C-21	100K	100K	5% 1/2W
C-22	100K	100K	5% 1/2W
C-23	100K	100K	5% 1/2W
C-24	100K	100K	5% 1/2W
C-25	100K	100K	5% 1/2W
C-26	100K	100K	5% 1/2W
C-27	100K	100K	5% 1/2W
C-28	100K	100K	5% 1/2W
C-29	100K	100K	5% 1/2W
C-30	100K	100K	5% 1/2W
C-31	100K	100K	5% 1/2W
C-32	100K	100K	5% 1/2W
C-33	100K	100K	5% 1/2W
C-34	100K	100K	5% 1/2W
C-35	100K	100K	5% 1/2W
C-36	100K	100K	5% 1/2W
C-37	100K	100K	5% 1/2W
C-38	100K	100K	5% 1/2W
C-39	100K	100K	5% 1/2W
C-40	100K	100K	5% 1/2W
C-41	100K	100K	5% 1/2W
C-42	100K	100K	5% 1/2W
C-43	100K	100K	5% 1/2W
C-44	100K	100K	5% 1/2W
C-45	100K	100K	5% 1/2W
C-46	100K	100K	5% 1/2W
C-47	100K	100K	5% 1/2W
C-48	100K	100K	5% 1/2W
C-49	100K	100K	5% 1/2W
C-50	100K	100K	5% 1/2W

A.C. SIGNAL CHART  
 USE BALLASTINE AC-VMV OR HEATMITE VOLTMETER AV-2  
 APPLY 200V AC TO BALLAST. USE 500 OHM 1/2 WATT RESISTOR IN  
 BALANCE CONTROL SET IN MIDDLE. USE 5% 20 W RESISTOR AS  
 OUTPUT LOAD FOR EACH CHANNEL.

TUBE	FUNCTION	1	2	3	4	5	6	7	8	9
V1	6X4	VA-CF	35	D04				07	1	
V2	6X4	VA-CF	07	J1				35	D04	
V3, V4	12 AU6	A-VA	07					45	D04	01
V5, V6	12 AR7	B	20	H	19			25	D04	
V7	12 AR7	VA-RECT 2						2	D05	09
V8, V9	6B7S	POWER	07	2	1			21	07	46
V10, V11	6AU6	AMP						15	07	15
V12	6AU6	RECT						15	07	15

A.C. VOLTAGES MEASURED FROM GROUND  
 \* MEASURED WITH VT VM



THE SCHEMATIC SHOWN IN THE LATEST  
 CONDITION AT THE TIME OF PRINTING