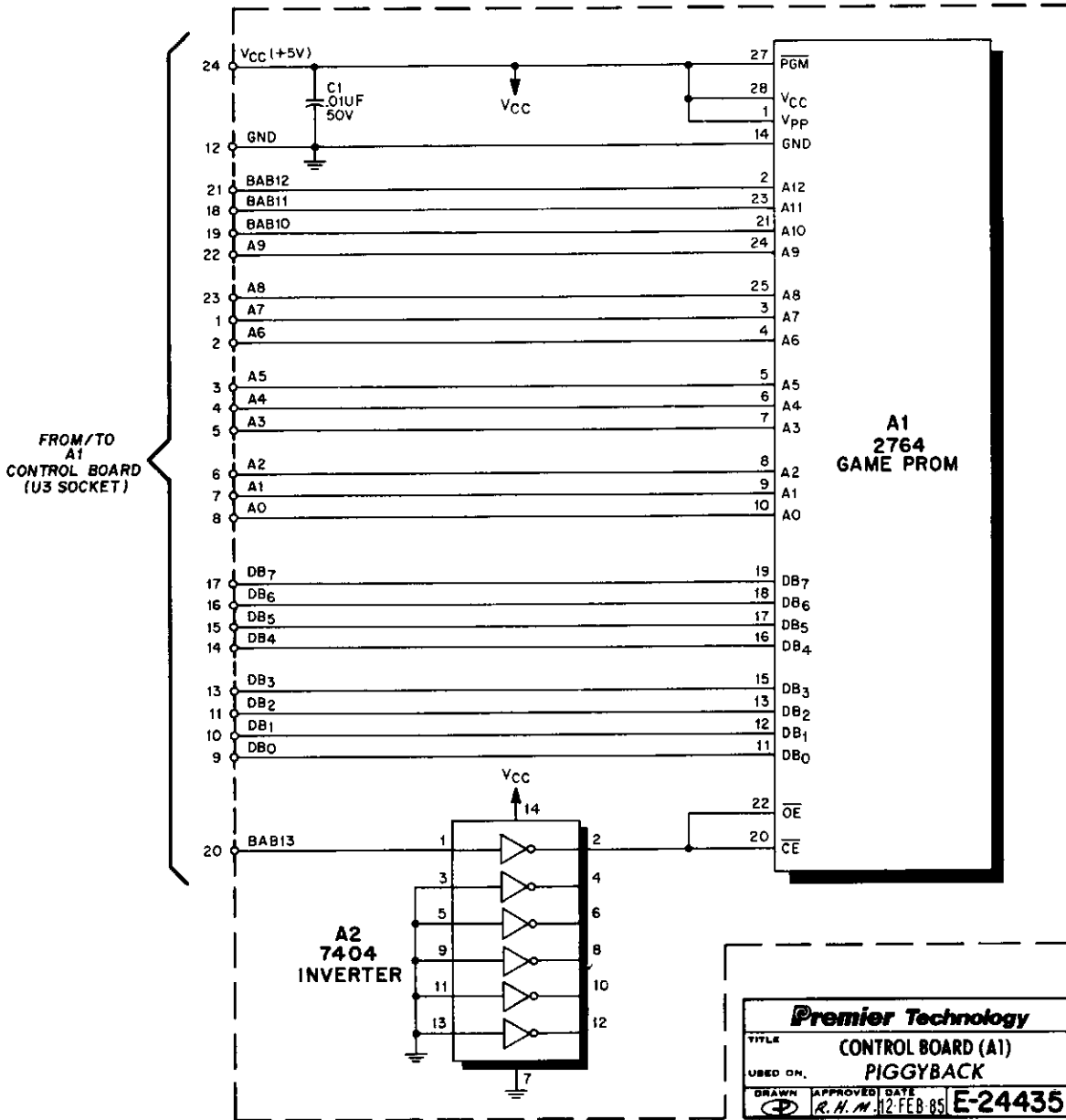
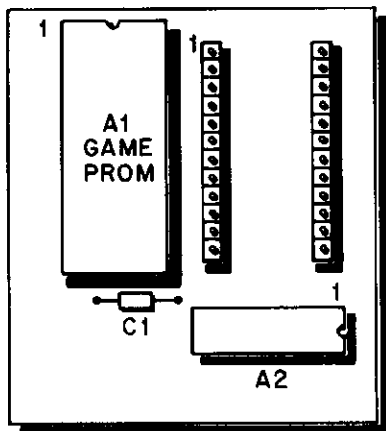


X. WIRING AND SCHEMATIC DIAGRAMS, PARTS LISTS



CONTROL BOARD (A1), PIGGYBACK COMPONENT LOCATION

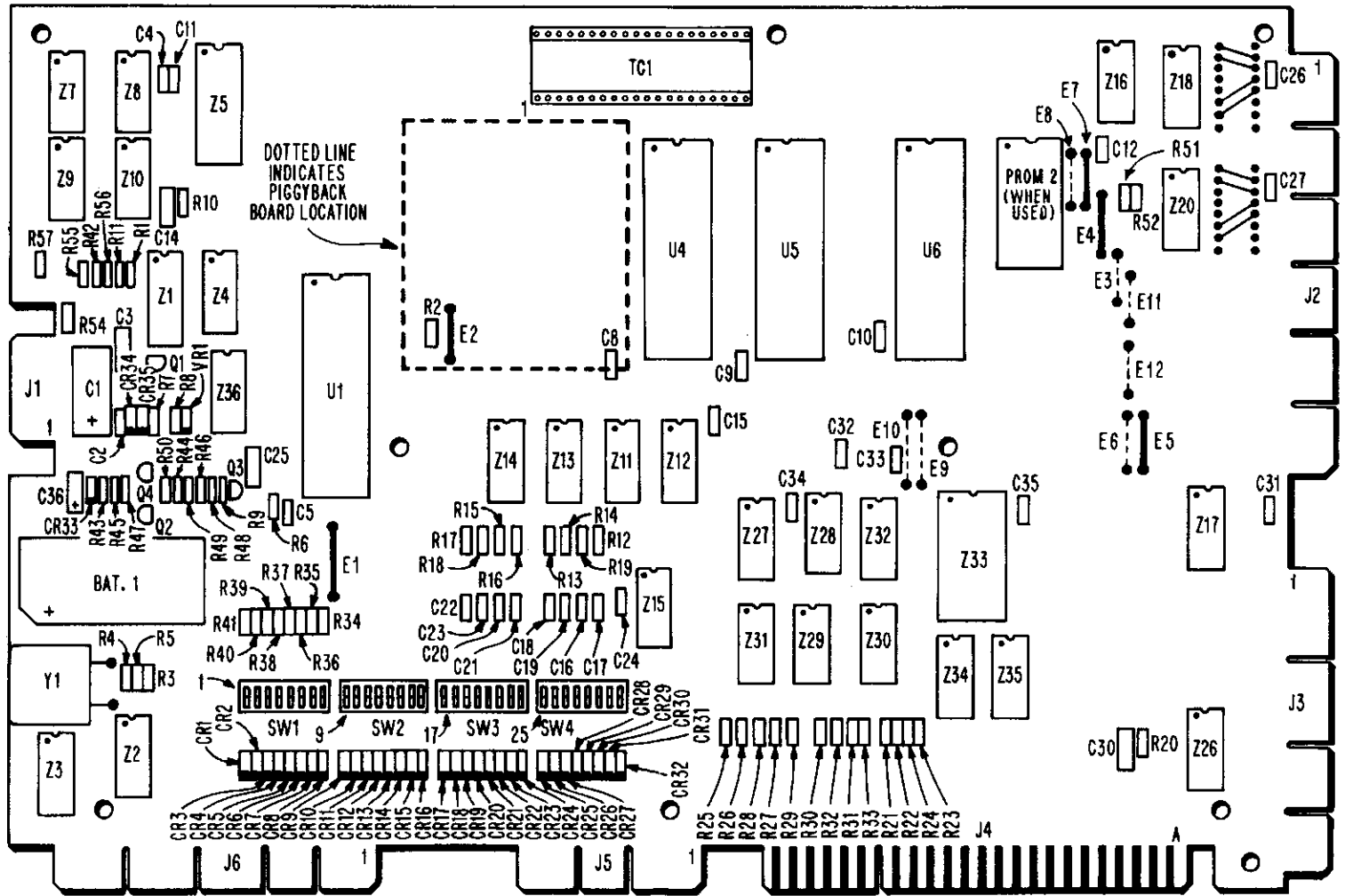


CONTROL BOARD (A1), PIGGYBACK PARTS LIST

REFERENCE	DESCRIPTION	PART NUMBER
A1	Control Board (A1), Piggyback	MA689
A2	Game Prom, 2764	XO-489
A2	IC, 7404 Inverter	XO-402
C1	Capacitor, .01uF, +80% -20%, 50V	XO-229
	Socket, 28 Pin	XO-536

X. WIRING AND SCHEMATIC DIAGRAMS, PARTS LISTS

CONTROL BOARD (A1) COMPONENT LOCATION



CONTROL BOARD (A1) PARTS LIST

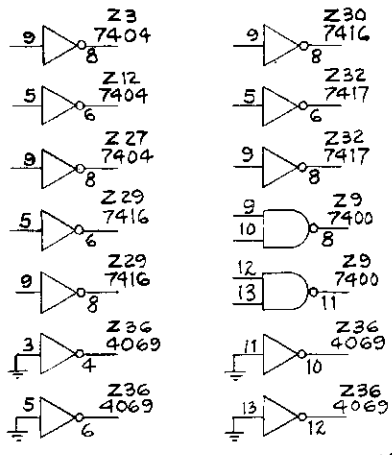
REFERENCE	DESCRIPTION	PART NUMBER	REFERENCE	DESCRIPTION	PART NUMBER
	CONTROL BOARD	MA-774	R47	Resistor, 24K ohm, 5%, 1/4W	XO-10
Bat. 1	Battery-3.6V 326R10-002	XO-458	SW1-SW4	Dip Switch 1008-692	XO-505
C1	Capacitor, 100 mfd., 10V	XO-211	TC1	Socket, 40 Pin 640379-3	XO-530
C2, C4, C5,	Capacitor, .01 mfd., 50V	XO-229	U1	CPU R6502 P	XO-360
C8-C12,			U4, U5, U6	PRIOT R6532P	XO-361
C15-C24,			VR1	Diode-3.0V, 5% 1N5225B or 1N5987B	XO-269
C26, C27,			Y1	Crystal, 3.579545 MHZ	XO-456
C31-C35			Z1	IC-Cmos-Dual 1 Shot SCL4528BE	XO-414
C3, C14, C25,	Capacitor, .1 mfd., 50V	XO-230	Z2	IC-Dual Flip Flop SN7474N	XO-423
C30			Z3, Z11, Z12,	IC-Hex Inverter SN7404N	XO-402
C36	10 mfd., 10V, TNT-AX CAP	XO-209	Z16, Z17,		
CR1-CR35	Diode, GP 1N4148	XO-261	Z26, Z27, Z34,		
Q1, Q4	Transistor-PNP MPS-A70	XO-309	Z35		
Q2, Q3	Transistor, NPN (Motorola) 2N4400	XO-313	Z4	IC-Cmos-Quad 2 Input "And" SCL4081BE	XO-401
R1, R6	Resistor, 3.0K ohm, 5%, 1/4W	XO-23	Z5	IC-Static Ram S5101-L	XO-356
R11-R24			Z7	IC-Hex Inverter SN74LS04N	XO-418
R42, R45,			Z8	IC-2 Input "Nor" SN7402N	XO-421
R46, R48,			Z9, Z13, Z14	IC-2 Input "Nand" SN7400N	XO-420
R51, R52,			Z10	IC-Open Collector Inverter SN74LS05N	XO-411
R54-R57			Z15	IC-2 Input "Or" SN7432N	XO-407
R2, R34-R41	Resistor, 4.7K ohm, 5%, 1/4W	XO-7	Z18, Z20	IC-"D" Flip Flop SN74175N	XO-410
R3, R43, R49	Resistor, 5.6K ohm, 5%, 1/4W	XO-19	Z33	IC-4-16 Decoder SN74154N	XO-409
R4, R5, R44	Resistor, 2.0K ohm, 5%, 1/4W	XO-14	Z28	IC-2 to 4 Decoder SN74LS139N	XO-419
R7	Resistor, 62 ohm, 5%, 1/4W	XO-3	Z29, Z30	IC-Hex Inverter-OC/HV SN7416N	XO-405
R8, R50	Resistor, 180 ohm, 5%, 1/4W	XO-24	Z31	IC-2 Input "And" SN7408N	XO-404
R9	Resistor, 1K ohm, 5%, 1/4W	XO-5	Z32	IC-Hex Buffer-OC SN7417N	XO-406
.R10	Resistor, 2.7M ohm, 5%, 1/4W	XO-13	Z36	IC-Cmos SCL4069B	XO-424
R25-R33	Resistor, 620 ohm, 5%, 1/4W	XO-4		Socket 24 Pin 640361-3	XO-529

CONTROL BOARD (A1), PIGGYBACK MA689

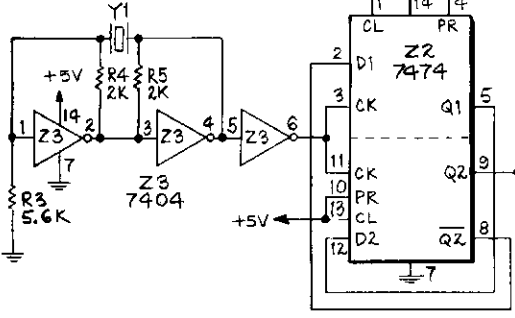
CRACQ

- NOTE: UNLESS OTHERWISE INDICATED;
 1. RESISTORS ARE $\pm 5\%$, 1/4W.
 2. CAPACITORS ARE .01UF, 50V.
 3. DIODES ARE TYPE 1N4148.
 4. REF. DESIGNATION Z6 NOT USED.

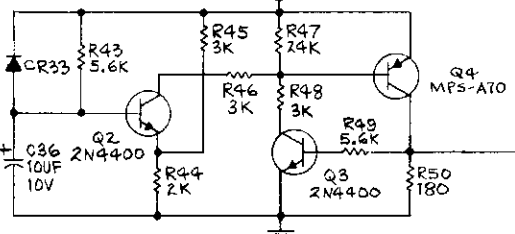
SPARE GATES



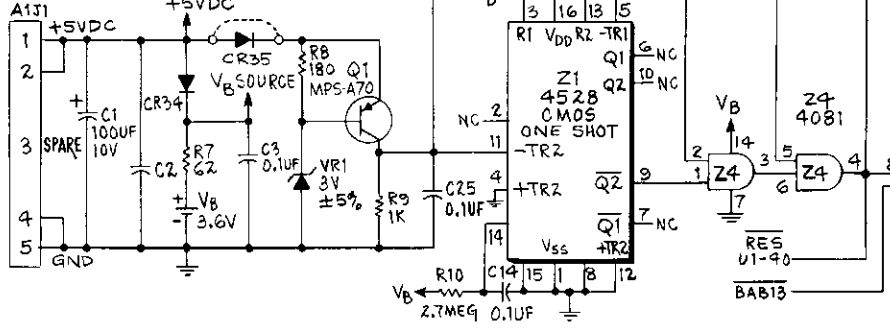
CLOCK LOGIC



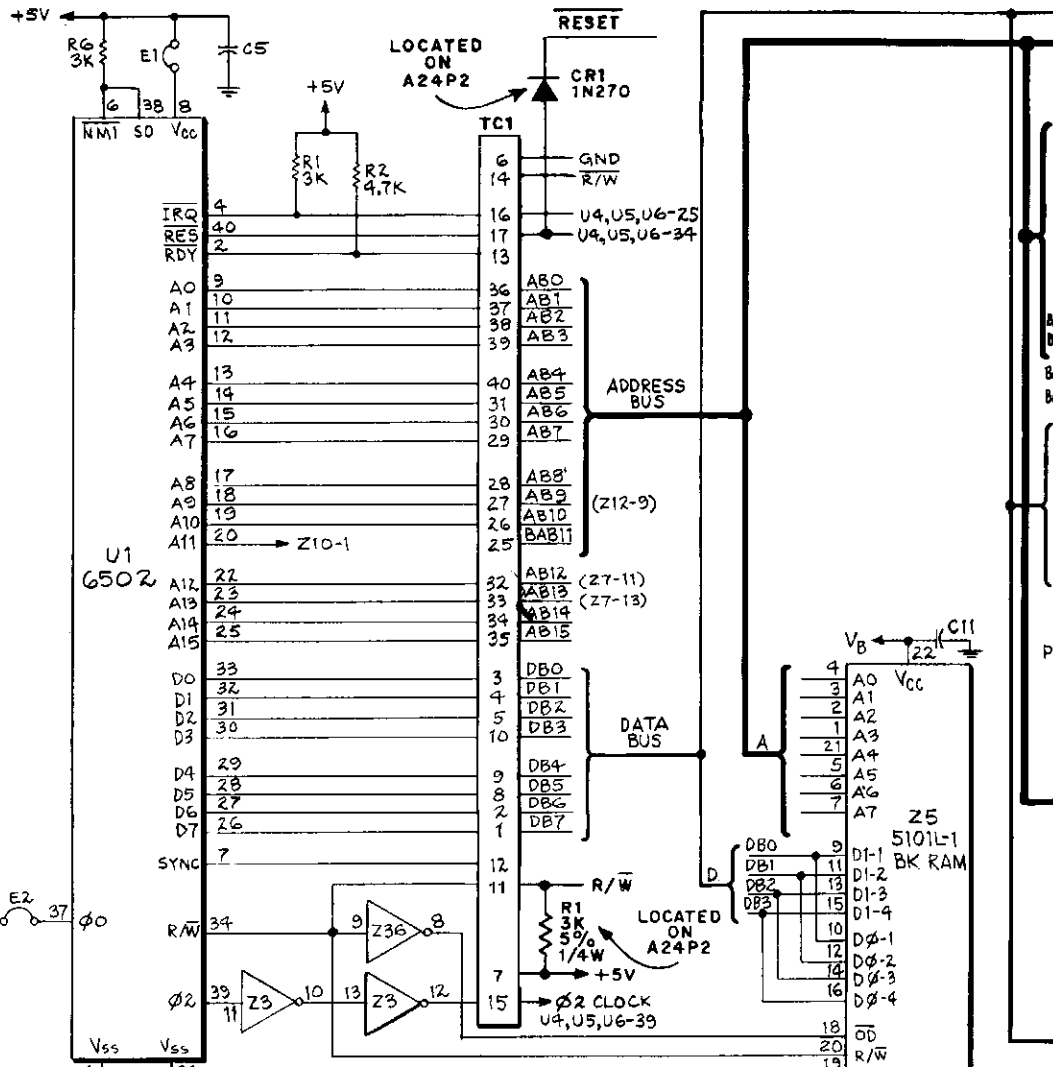
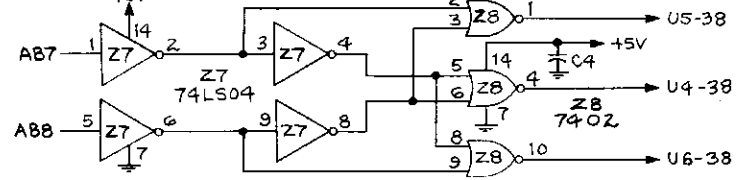
DELAY CIRCUIT



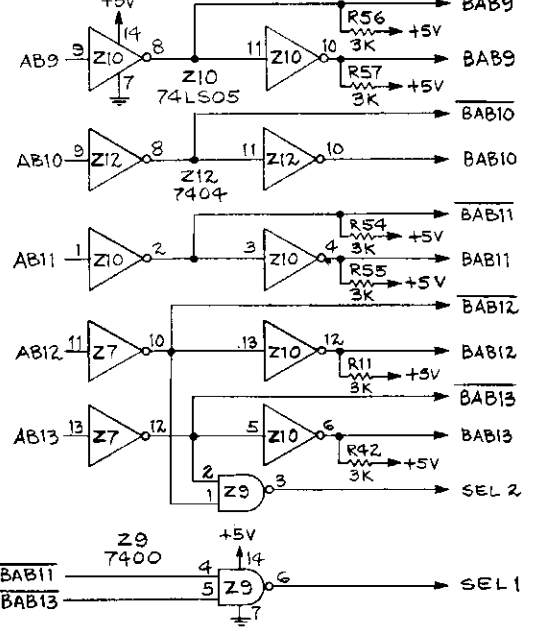
UP/DOWN MEMORY PROTECT LOGIC



INPUT/OUTPUT DEVICE SELECTION



PROM SELECTION



X. WIRING AND SCHEMATIC DIAGRAMS, PARTS LISTS

